

SMD POWER INDUCTORS *Low resistance*

Series PF - L *Shielded*



FEATURES

- ◆ This specification applies Ferrite Chip Inductance PF Series

APPLICATIONS

- ◆ Low profile/ large current specifically suitable for Portable telephones, hard disk drives, PDA, DSC and other electronic equipments.

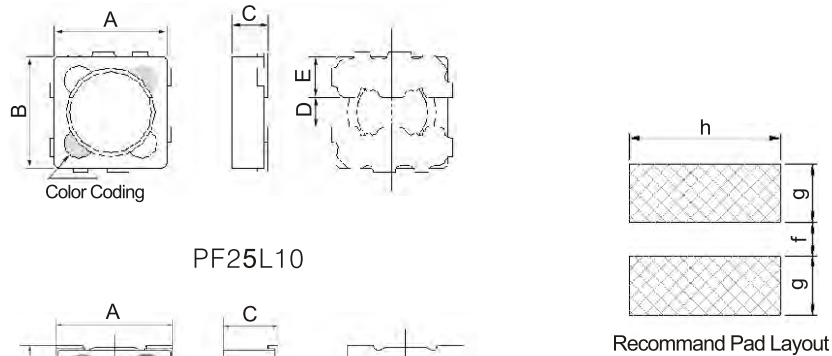
PRODUCT IDENTIFICATION

$\frac{PF}{a} \quad \frac{2D}{b} \quad \frac{L}{c} \quad \frac{10}{d} \quad \frac{1}{e} \quad \frac{M}{f} \quad \frac{1U2}{g}$

- a : Type of products - SMD Power Inductors
 b : Dimension(mm) - 2D = 3.2 X 3.2 25 = 3.8 X 3.8
 c : Materials - Low Resistance
 d : Thickness (mm) - 10 = 1.05 15 = 1.6 18 = 1.8
 e : Packing(PCS / Box) - 1 = 1,000
 f : Tolerance - M : ±20%
 g : Inductance - 10U = 10 μH, 220U = 220 μH, 1M = 1000 μH

SHAPES & DIMENSIONS

PF2DL15' PF2DL18



Unit : mm

Type	A±0.2	B±0.2	C max.	D typ.	E typ.	f typ.	g typ.	h typ.
PF2DL15	3.2	3.2	1.60	0.8	1.1	0.8	1.4	3.6
PF2DL18	3.2	3.2	1.80	0.8	1.1	0.8	1.4	3.6

SMD POWER INDUCTORS *Low Resistance*

Series **PF - L** *Shielded*

ELECTRICAL CHARACTERISTICS

Part Number	Inductance L0 (μH)	DCR (Ω) typ.	Idc (mA) L0▽ 10%	Idc (mA) L0▽ 35%	Irms (mA) T Δ25°C	Color Coding
PF2DL151□1U	1	0.038	1040	1400	1800	Green
PF2DL151□1U2	1.2	0.041	1000	1300	1740	Blue
PF2DL151□1U5	1.5	0.046	940	1220	1700	Violet
PF2DL151□1U8	1.8	0.058	920	1160	1640	Gray
PF2DL151□2U2	2.2	0.066	880	1100	1600	White
PF2DL151□2U7	2.7	0.070	740	930	1450	Green
PF2DL151□3U3	3.3	0.091	680	900	1240	Blue
PF2DL151□3U9	3.9	0.115	620	820	1120	Violet
PF2DL151□4U7	4.7	0.132	600	740	1100	Gray
PF2DL151□5U6	5.6	0.156	580	700	1060	White
PF2DL151□6U8	6.8	0.166	420	620	1000	Green
PF2DL151□8U2	8.2	0.230	400	580	900	Blue
PF2DL151M10U	10	0.244	380	500	800	Violet
PF2DL151M12U	12	0.324	360	440	700	Gray
PF2DL151M15U	15	0.370	360	420	700	White
PF2DL151M18U	18	0.489	300	380	620	Green
PF2DL151M22U	22	0.560	260	340	480	Blue
PF2DL181□1U	1	0.038	960	1360	1800	Green
PF2DL181□1U2	1.2	0.041	940	1220	1760	Blue
PF2DL181□1U5	1.5	0.048	900	1140	1700	Violet
PF2DL181□1U8	1.8	0.052	840	1040	1680	Gray
PF2DL181□2U2	2.2	0.055	840	980	1640	White
PF2DL181□2U7	2.7	0.060	680	900	1460	Green
PF2DL181□3U3	3.3	0.078	600	800	1400	Blue
PF2DL181□3U9	3.9	0.090	580	800	1220	Violet
PF2DL181□4U7	4.7	0.099	540	740	1200	Gray
PF2DL181□5U6	5.6	0.110	500	660	1120	White
PF2DL181□6U8	6.8	0.120	480	600	1060	Green
PF2DL181□8U2	8.2	0.168	400	540	900	Blue
PF2DL181M10U	10	0.190	360	460	880	Violet
PF2DL181M12U	12	0.222	320	460	800	Gray
PF2DL181M15U	15	0.285	300	400	720	White
PF2DL181M18U	18	0.350	280	380	660	Green
PF2DL181M22U	22	0.440	240	320	500	Blue
PF2DL181M27U	27	0.490	220	280	420	Violet
PF2DL181M47U	47	0.880	170	220	300	Black

L' IDC : Agilent / PH 4284A/1KHz with 1V.

RDC : DIGITAL MILLIOHM METER Chroma 16502, or equivalent.

Idc for Inductance drop 10% or 35% from its value without current.

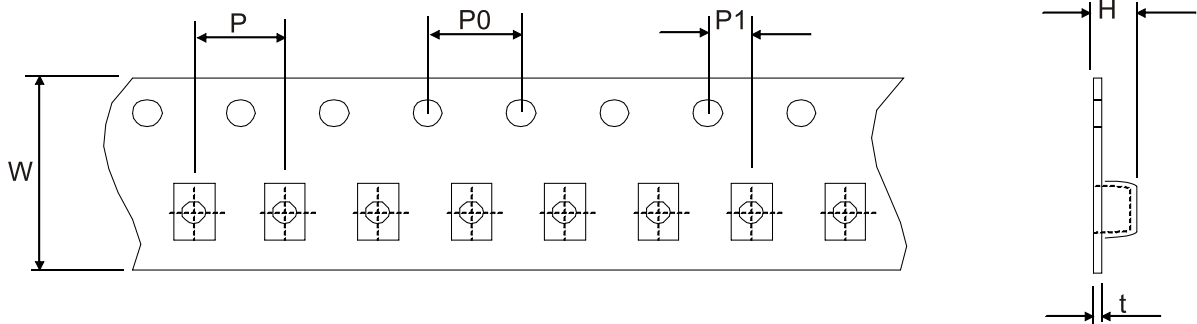
Irms for a 25°C rise above 25°C ambient.

Operating temperature range :25~+105°C

SMD POWER INDUCTORS *Low resistance*

Series **PF - L** *Shielded*
Packaging

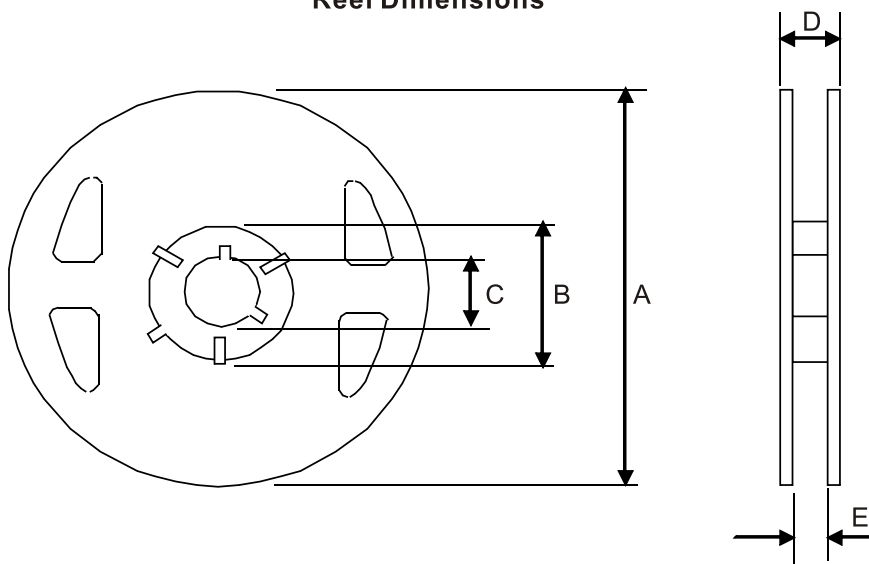
Tape Dimensions



Type	W	P	P0	P1	H	T
PF2DL15	12.0	8.0	4.00	2	1.8	0.23
PF2DL18	12.0	8.0	4.00	2	2.1	0.23
PF25L10	12.0	8.0	4.00	2	1.3	0.23

Dimension in mm

Reel Dimensions



Type	A	B	C	D	E
All Series	180.0	60.0	13.00	16	13.2

Dimension in mm